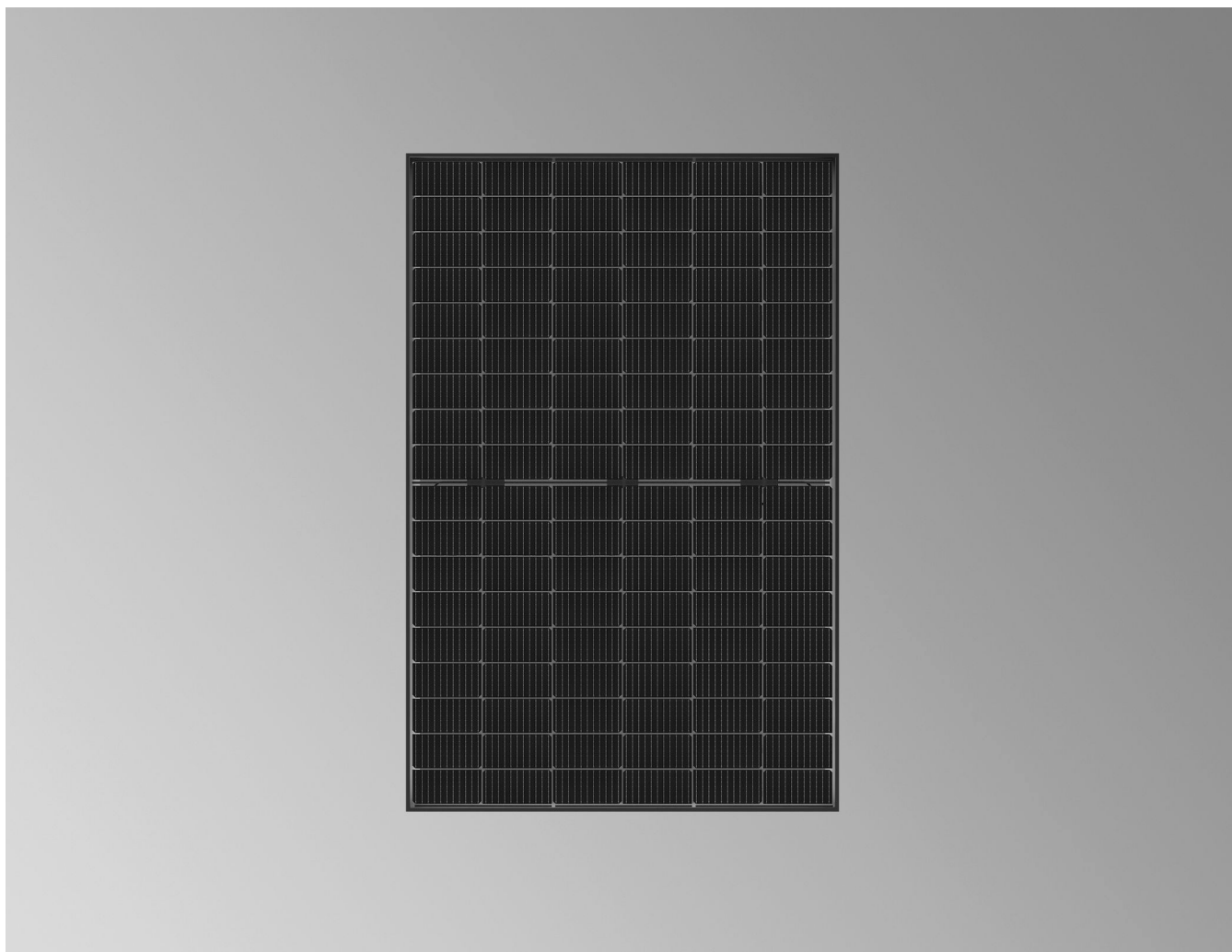


Datasheet

**VITOVOLT 300-DG** Type M435AO,
M440AO, M445AO

- Version: Blackframe
- Cell technology: N-Type TOPCon
- Module design: Bifacial (glass/glass)
- Tested for resistance to salt spray and ammonia. Consequently suitable for use in coastal regions and areas with intensive agricultural operations.



Specification

Vitovolt 300	Typ e	M435AO	M440AO	M445AO
Performance data under STC				
Rated output P_{max}	W_p	435	440	445
Output tolerance	W	0/+5	0/+5	0/+5
MPP voltage U_{mpp}	V	32.88	33.05	33.22
MPP current I_{mpp}	A	13.23	13.31	13.40
Open circuit voltage U_{oc}	V	38.80	39.00	39.20
Short circuit current I_{sc}	A	14.01	14.10	14.19
Module efficiency	%	21.8	22.0	22.3
Temperature coefficients				
Output	%/K	-0.30	-0.30	-0.30
Open circuit voltage	%/K	-0.24	-0.24	-0.24
Short circuit current	%/K	0.043	0.043	0.043
Cell temperature at NOCT	°C	41	41	41

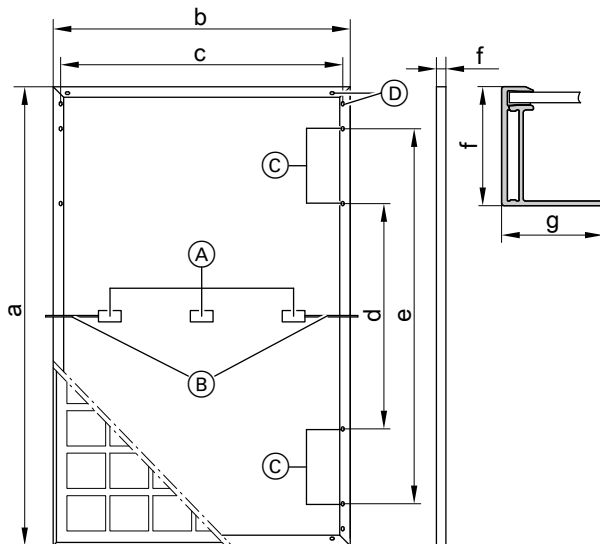
Vitovolt 300	Typ e	M435AO	M440AO	M445AO
Max. system voltage	V	1500	1500	1500
Reverse current resistance	A	25	25	25

STC Insolation 1000 W/m², cell temperature 25 °C, air mass AM 1.5, measuring tolerance ±3 % (P_{max})
MPP Maximum power point (maximum output under STC)
NOCT Insolation 800 W/m², ambient temperature 20 °C, air mass AM 1.5, wind speed 1 m/s, measuring tolerance ±5 % (P_{max})

Note

The possibility of additional output from the back of the glass pane is dependent on the installation situation.

Connection dimensions



- (A) Junction box
- (B) Connecting cables
- (C) 8 drilled holes 9 x 14 mm
- (D) 4 holes for equipotential bonding, \varnothing 5.5 mm

a	mm	1762
b	mm	1134
c	mm	1094
d	mm	1150
e	mm	1400
f	mm	30
g	mm	30/15

Cell type technology: N-Type TOPCon
(Cell dimensions: 182 mm x 93 mm)
Number of cells: 108 half-cut cells (6 x 18)
Cell embedding: Ethylene vinyl acetate (EVA)
Frame: Anodised aluminium alloy, black
Safety glass: 2 x 1.6 mm with anti-reflective coating
Weight: 21.5 kg
Max. pressure/suction load: 5400 Pa/2400 Pa
Junction box: IP68, 3 diodes
Connection: Cables 1.2 m long, with 4 mm² cross-section and Multi-Contact (MC4/EVO2)
Protection class: II
Application class: A
Shipping unit: 36 pce per pallet

Guarantee

Product guarantee

5 years: Viessmann warranty
25 years: Viessmann product guarantee

Output guarantee

Min. 97 % after one year
Min. 87.4 % linear after 30 years

Note

Product and output guarantee in accordance with the guarantee conditions of Viessmann Climate Solutions SE
Guarantee conditions: www.vibooks.de.

Tested quality

Certified to IEC 61215, IEC 61730, IEC 61701, IEC 62716 and Class A fire rating to UL790. Manufactured in factories certified to ISO 9001 and 14001. CE designation according to current EC directives.



Subject to technical modifications.

Viessmann Climate Solutions SE
35108 Allendorf / Germany
Telephone: +49 6452 70-0
Fax: +49 6452 70-2780
www.viessmann.com

Viessmann Limited
Hortonwood 30, Telford
Shropshire, TF1 7YP, GB
Telephone: +44 1952 675000
Fax: +44 1952 675040
E-mail: info-uk@viessmann.com

6221361